



SCHWINGSYSTEM  
CUSHIONING SYSTEM

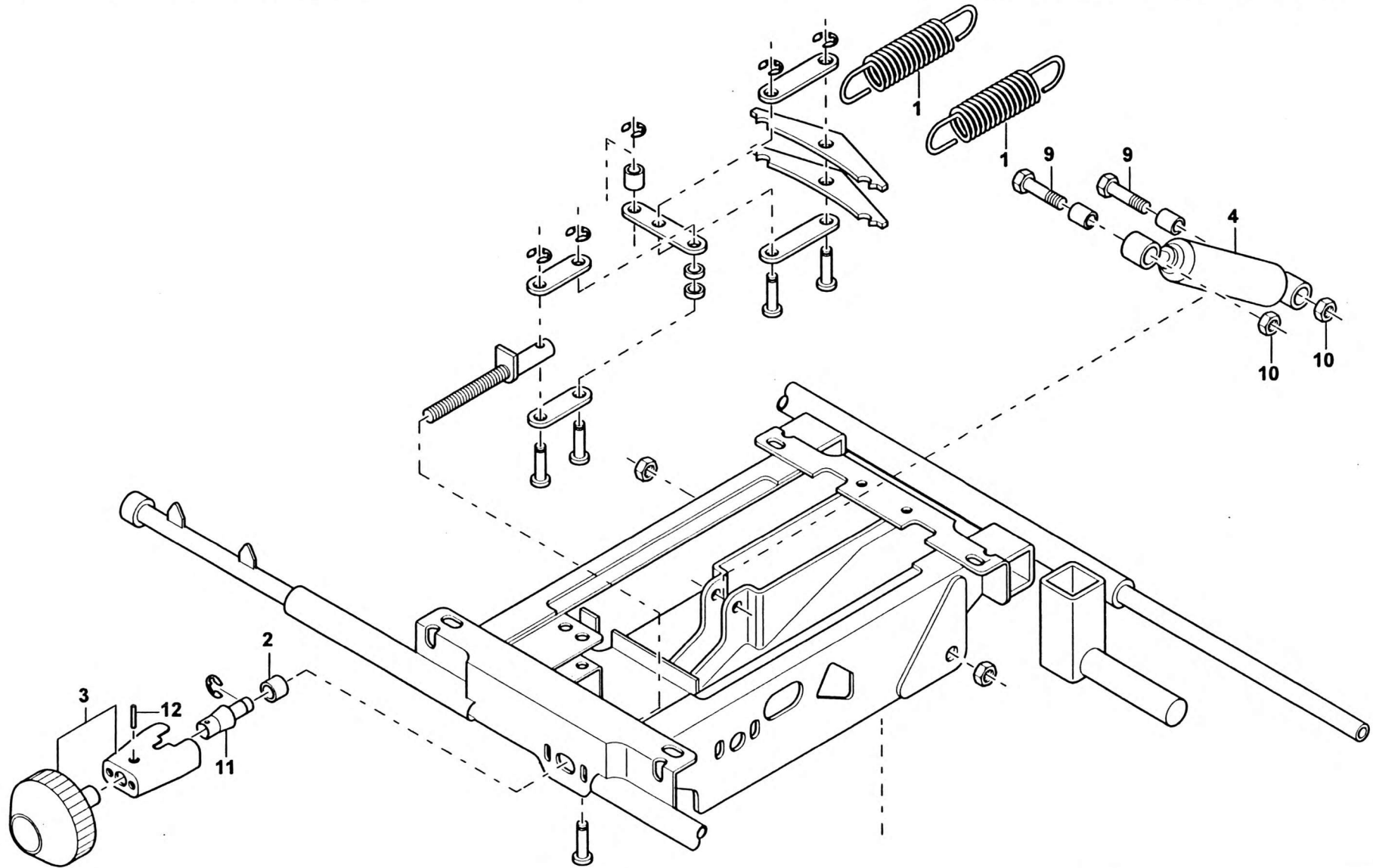
BILDТАФЕЛ  
PICTORIAL DISPLAY

09.97

2313825-ETL A

1/2

GMK 3050  
BE 630  
G 237





SCHWINGSYSTEM  
CUSHIONING SYSTEM

BILDТАFЕL  
PICTORIAL DISPLAY

09.97

2313825-ETL A

2/2

GMK 3050  
BE 630  
G 237

